



The process controller with 2 analogue inputs can be used in both single channel mode as well as in dual channel. In dual channel mode, all arithmetic operations are available for displaying the sum total, difference, ratio or the product. Inputs and outputs can be scaled separately.

Can be used as a simple process signal converter, process controller (ON/OFF controller) or for complex measuring tasks, where the relationship between two values, one to the other, must be monitored, calculated or further processed in a higher-level controller.

AC/DC 17 ... 260 V	000000 DIN 96 x 48	IP65	Prog		mA, V	123... 6 LED	Tara	mA, V	2
Power supply	DIN front bezel	High protection level	Menu-driven programming	Operation with gloves	2 inputs	LED display	Tare function	Output	Transistor output

Innovative

- 2 separate freely scalable analogue inputs +/-10 V, 0 ... 10 V and 0/4 ... 20 mA, resolution 14 bit
- Tare function – the unit can be set to 0 for any input voltage
- Programmable linearization: with up to 16 control points, input via key-pad or via the teach-in function
- Averaging measurement over 2 to 16 measuring cycles, for use with serious fluctuations of the input signals
- Easy to programme - the desired display value is simply keyed-in for a specific input signal
- Fast 25 ms sampling rate per channel alternating

Compact and multifunctional

- Up to 3 display values in one device, display A, display B + display calculated based on A and B
- AC and DC power supply in one device
- Simple menu-driven programming with just 2 keys, as well as tare or teach-in key
- Can be used as a simple process signal converter, process controller (ON/OFF controller) or for complex measuring tasks where the relationship between two values, one to the other, must be monitored, calculated or further processed in a higher-level controller
- Mathematical operation of the measured values of inputs A and B. The result can also if required be multiplied, divided or added to an offset value, in order to obtain the desired display value.
- Analogue output 0/4 ... 20 mA, +/-10 V or 0 ... 10 V
- 2 fast PNP switching outputs, 50 ms, with switching hysteresis, step or tracking preset
- Programmable display refresh time

Order specifications

Process controller with 2 outputs
6.573.011.E00 ¹⁾
Delivery specifications
Process controller with analogue output
6.573.012.E90 ¹⁾

- Process controller 573
- Gasket
- Mounting kit
- Manual German/English

Accessories

Dimensions in mm [inch]

Order-No.

Mounting frame

with cut-out 92 x 45 [3.62 x 1.77]

 For snap-on mounting on 35 [1.38] top-hat DIN rail,
for counters 96 x 48 [3.74 x 1.89]

grey

G300005

 Suitable gaskets as well as further accessories can be found in the accessories section or in the accessories area of our website at: www.kuebler.com/accessories.

Process controllers

LED process controllers **2 analogue signal inputs + 2 limit values or analogue output** **573**

Technical data

General technical data	
Display	LED display, 15 mm [0.59"] high 6 decades
Operating temperature	0°C ... +45°C [+32°F ... +113°F] (non-condensing)
Storage temperature	-25°C ... +70°C [-13°F ... +158°F]

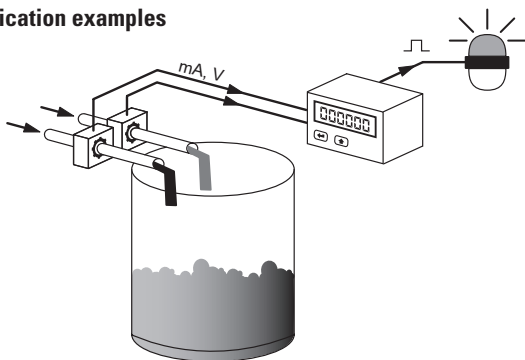
Electrical characteristics	
Power supply	17 ... 30 V DC (Nominal voltage: 24 V DC) 115/230 V AC ± 12.5 %
Current consumption	18 V 110 mA 24 V 90 mA 30 V 80 mA
Power consumption AC	7.5 VA
Auxiliary power supply output for sensors (for AC and DC supply)	24 V DC ± 15%, 100 mA
EMC	Immunity to interference EN 55011 class B Emitted interference EN 61000-6-2
Device safety	Designed to EN 61010 part 1 Protection class 2 Application area Pollution level 2

Mechanical characteristics	
Housing	Noryl UL94-V-0
Weight	approx. 200 g [7.05 oz]
Protection	IP65 (front side) IP20 (rear side)
Connection terminals	signal max. 1.5 mm ² [AWG 15] AC supply max. 2.5 mm ² [AWG 13]

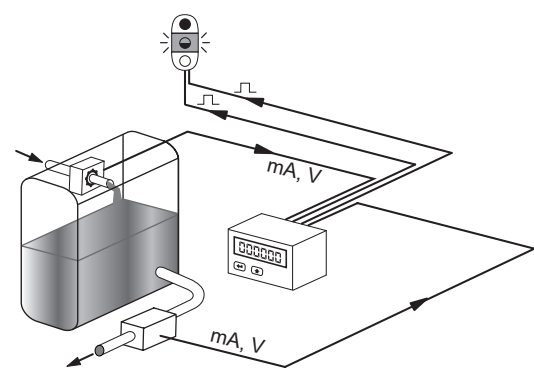
Measuring signal inputs	
2 analogue inputs	0 ... 20 mA, 4 ... 20 mA -10 ... +10 V, 0 ... 10 V
Input resistance	current Ri = 100 Ohm voltage Ri = 30 kOhm
Measuring time per channel	25 ms (alternating)
Resolution	14 bit (13 bit + sign)
Accuracy	±0.1% ± 1 digit

Outputs	
Switching outputs	2 x PNP, max. 35 V, max. 150 mA response time max. 50 ms
Analogue output	0 ... 20 mA, 4 ... 20 mA (max. 300 Ohm) -10 ... +10 V, 0 ... 10 V (max. 2 mA) response time max. 57 ms (analogue output 7 ms after detection of the measurement value)
Resolution	14 bit (13 bit + sign)

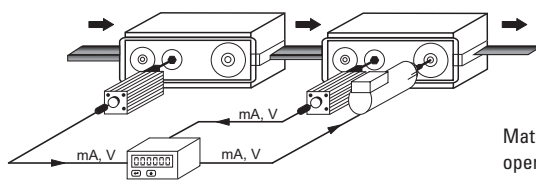
Application examples



Monitoring of mixing ratios and display of flow rate



Level monitoring and adjustment, display of inflow and outflow



Material stretching, as well as monitoring of synchronous operation, with display of individual speeds

Process devices

Process controllers

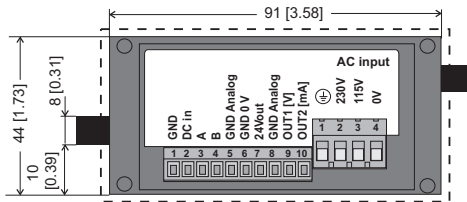
LED process controllers

2 analogue signal inputs + 2 limit values or analogue output

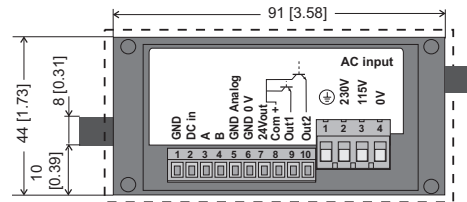
573

Terminal assignment

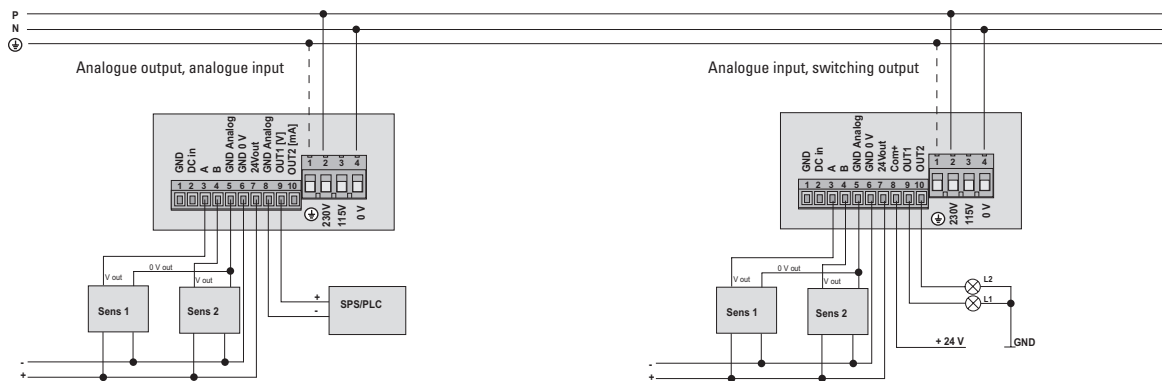
with analogue output



with 2 outputs

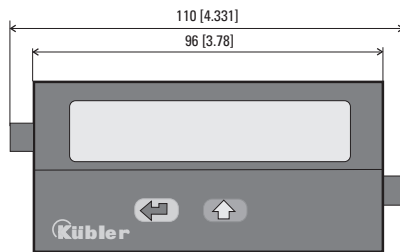


Connection example



Dimensions

Dimensions in mm [inch]



Panel cut-out 91 x 44 [3.58 x 1.73]

